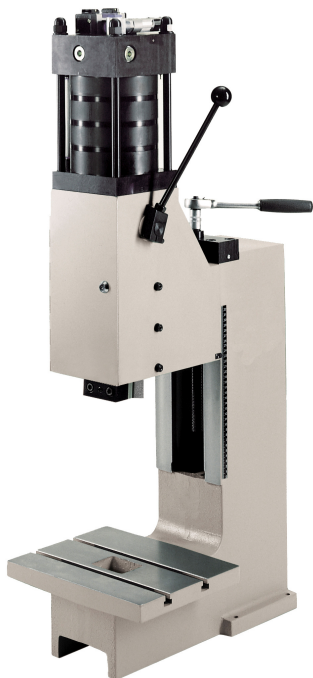
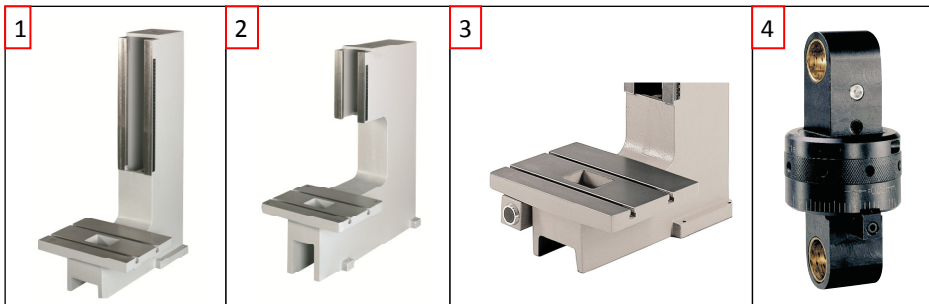


45 kN HKP/L Hand Aided Pneumatic Press



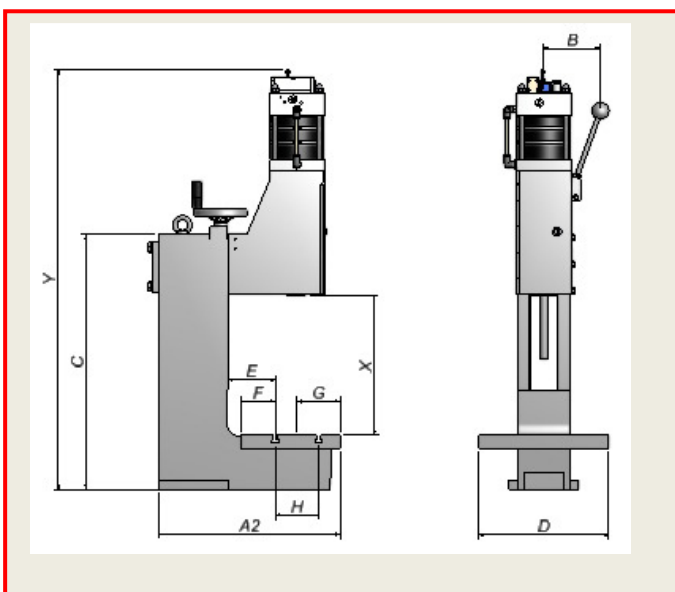
The BalTec 45kN HKP/L press is a robustly designed small press with lots of features.

- The ram is vee guided to ensure the ram does not rotate during use and also ensures accurate guidance
- The handle can be positioned anywhere over 360° for operator comfort
- The front spigot clamping block gives accurate all round clamping
- When the operator closes the toggle of the press the pneumatic cylinder will operate to complete the press stroke given 5.8mm of power stroke
- Large table with Tee slot clamping surface
- Quick and easy head height adjustment
- Also available as head only
- DXF, DWG and 3D Model files available on request
- Complies with CE standards without any additional guarding



Accessories

1. Extra height frame
2. Extra throat depth frame
3. Additional Start Button
4. Fine Adjustment



Dimensions	45 kN HKP/L
A2	520
B	200
C	715
D	340
E	200
F	100
G	120
H	100
U	49
X	115 - 375
Y	965 - 1225
Ram Location Dia	Ø25 H7
Stroke	6-59
Force at lower position	Max 45kN @6 bar