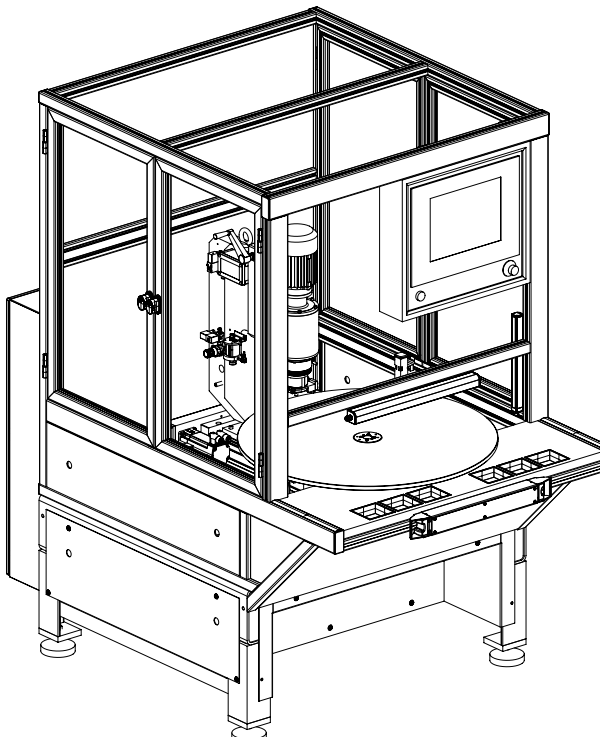


RNC – RADIAL COORDINATE RIVETING MACHINE WITH PROCESS CONTROL AND ROUND TABLE



Key features

- Complete, autonomous work cell
- Very high flexibility and minimal effort to change setup
- Reduces production time already for small and middle size batches
- Comfortable and user-friendly high-end HMI
- Available for all pneumatic riveting machine variations

Detailed specifications

Process control (HPP) and proportional valve technology allow variable programming for each individual riveting point for a wide variety of forming and riveting applications.

User-friendly HMI that enables easy program creation even for complex components.

Visualization of process data, curves and diagnostics, as well as integrated help available at any time.

Integrated backup systems / backup cycles to prevent data loss.

Remote access through BalTec tech-support is integrated.

Unload devices such as ejectors and/or pick & place units can easily be integrated.

Safety enclosure with light curtain and two-hand operation – or as an alternative with safety swing gates and foot pedal.

Technical data

Available for all pneumatic riveting units

XY range: 300 x 200 mm

Axis positioning speed: approx. 350 mm/sec

Table diameter: 870 mm

Rotary table available as two or four position version

Maximum total load (fixture & work piece) per station: 15 kg

Index time for 90° ~ 1 second

Dimensions and weight (for all sizes)

Weight: approx. 1000 kg

Width: 1200 mm

Depth: 1800 mm

Height: 2010 mm

Of course executions with different dimensions, configurations or options can be offered to accommodate your specific needs. Subject to technical changes.

