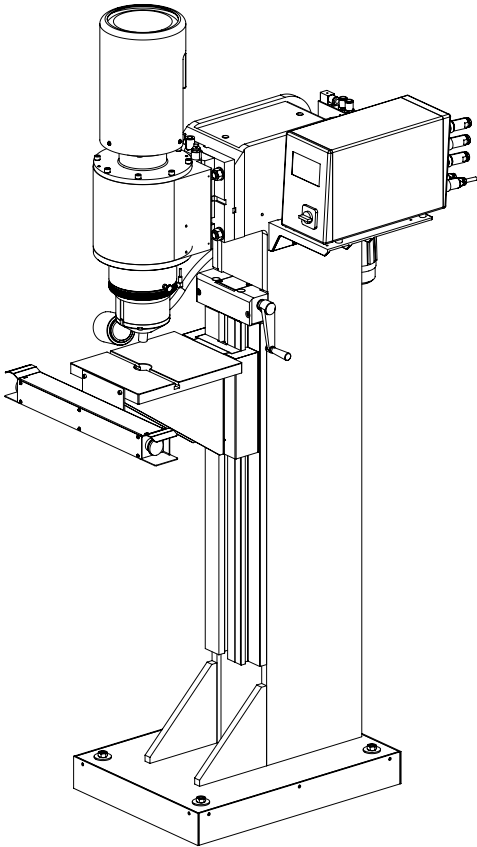


RNS – RADIAL PEDESTAL RIVETING MACHINE



Key features

- Complete work station
- Specially designed for high or long parts
- Working table is adjustable while the riveting unit remains fixed
- Stable cast column and table
- Two hand start button including safety relay, work lamp
- 081-331 includes standard pneumatic package
381-481 includes standard hydraulic package
- Optionally: Safety enclosure

with Process Control HPP-25

5,7" Touchscreen LED-backlit

Process data are continuously evaluated and stored

Integrated riveting curve visualization for a simple process analysis

USB and Ethernet interfaces and integrated data logger

Graphical display of riveting force and deformation path-curve

Indicator on riveting head home position and lower endposition

Status display in-/output of the riveting curve

with Time Based Control RC-30

4.3" Touchscreen, LED-backlit

Control Software on SD card – SW updates via SD card possible

Total hardware in semiconductor technology executed

All connections on the back side via quick disconnect

Control in sheet metal enclosure, IP 53

Stroke counter and hour counter are resettable

Total stroke counter and total hour counter are not resettable

Main dimensions and weights

Model	kN	H	I	K	V	J	D	A	L	kg
RNS 151	0.2-1.5	5-30	1815	876	606	456	125-155	544-574	0-600	400
RNS 181	1.8-6.6	5-30	1815	876	606	456	125-155	544-574	0-600	400
RNS 181R	1.2-3.6	5-30	1815	876	606	456	125-155	544-574	0-600	400
RNS 231	3.8-12	5-40	1848	922	606	456	145-185	594-634	0-600	410
RNS 231R	1.2-3.6	5-40	1848	922	606	456	145-185	594-634	0-600	410
RNS 281	5.8-17	5-40	1909	793	606	456	166-206	656-696	0-600	440
RNS 281R	3.0-9.5	5-40	1909	793	606	456	166-206	656-696	0-600	440
RNS 331	11-33	5-50	1980	844	606	456	207-257	764-814	0-600	470
RNS 381	6.0-40	5-50	1977	804	606	456	198-248	752-802	0-600	500
RNS 481	15-100	5-90	2253	984	606	456	193	902-992	0-600	1040

Further dimensions: Please ask for our detailed dimensional drawings.
Subject to technical changes.

